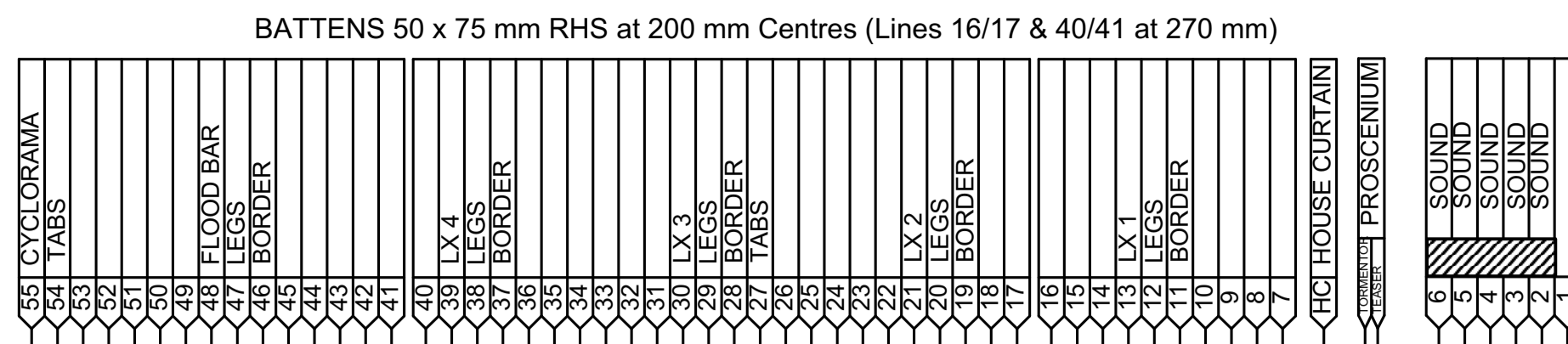


BATTEN LENGTH: Downstage 13.7 m
 Onstage 14.6 m
 Cyclorama 16.2 m
 Panorama 9.5 m
 MAX. CRADLE CAPACITY: 350 kg
 HEIGHT TO UNDERSIDE OF GRID: 17.0 m
 MAX. HEIGHT BATTENS FLY OUT: 16.7 m

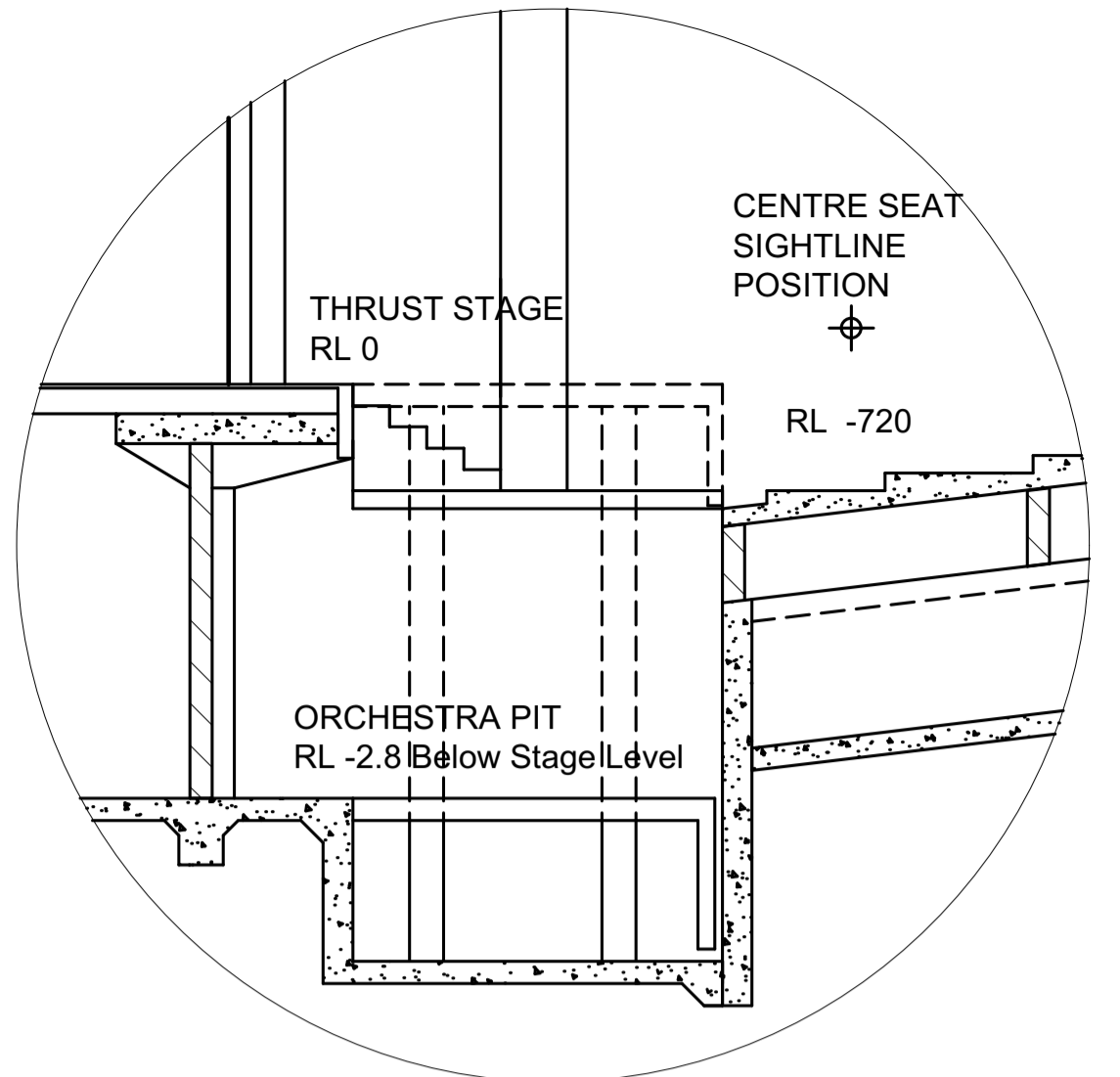


FLY RAIL - 49 Lines over stage, 6 Lines downstage of House Curtain, 3 Panorama Lines per side.

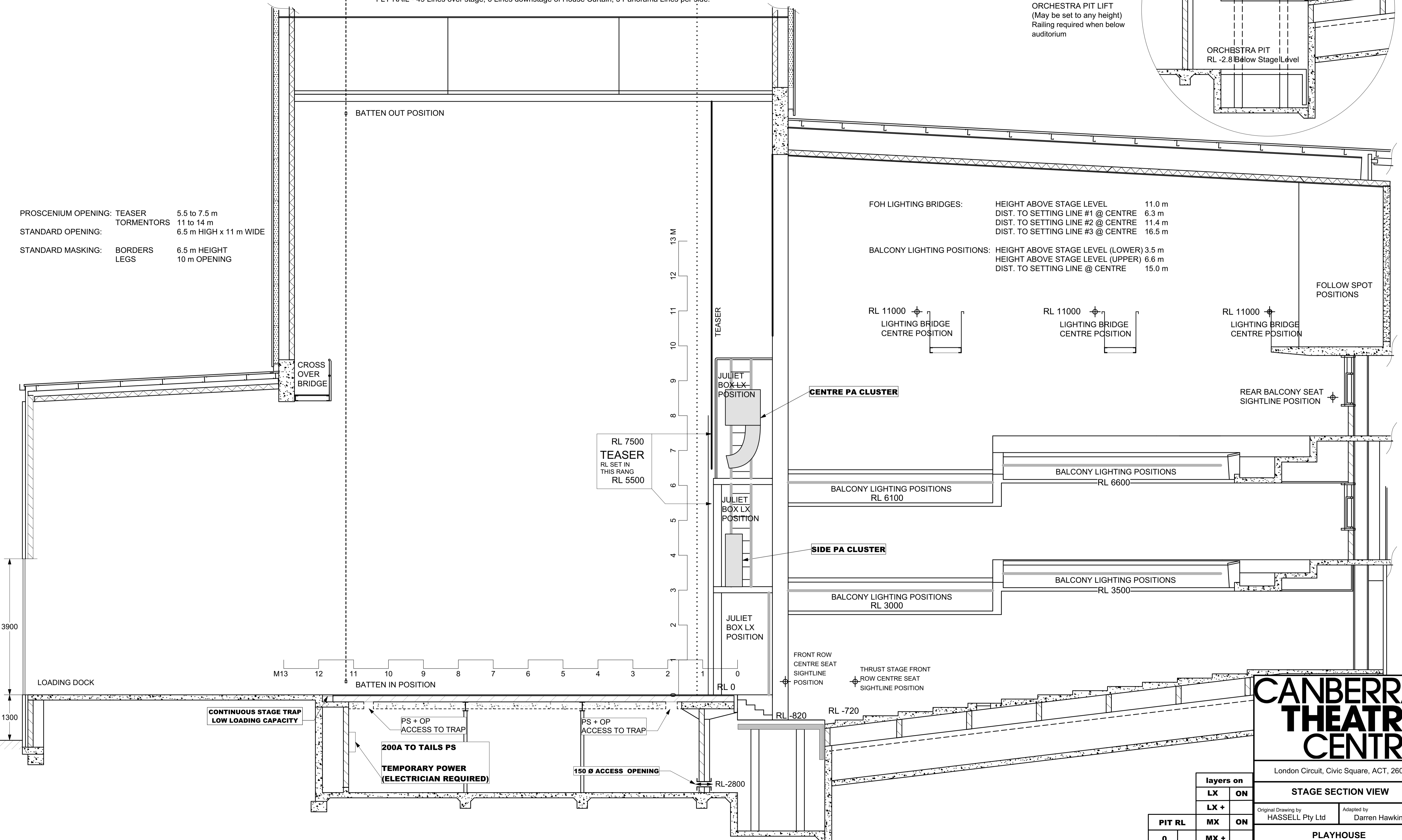
BATTEN OUT POSITION

PROSCENIUM OPENING: TEASER 5.5 to 7.5 m
 TORMENTORS 11 to 14 m
 STANDARD OPENING: 6.5 m HIGH x 11 m WIDE
 STANDARD MASKING: BORDERS 6.5 m HEIGHT
 LEGS 10 m OPENING

FOH LIGHTING BRIDGES: HEIGHT ABOVE STAGE LEVEL 11.0 m
 DIST. TO SETTING LINE #1 @ CENTRE 6.3 m
 DIST. TO SETTING LINE #2 @ CENTRE 11.4 m
 DIST. TO SETTING LINE #3 @ CENTRE 16.5 m
 BALCONY LIGHTING POSITIONS: HEIGHT ABOVE STAGE LEVEL (LOWER) 3.5 m
 HEIGHT ABOVE STAGE LEVEL (UPPER) 6.6 m
 DIST. TO SETTING LINE @ CENTRE 15.0 m



ALTERNATIVE USES FOR ORCHESTRA PIT LIFT (May be set to any height) Railing required when below auditorium



3900

1300

RL 7500
 TEASER
 RL SET IN THIS RANG
 RL 5500

CENTRE PA CLUSTER

SIDE PA CLUSTER

BALCONY LIGHTING POSITIONS RL 6600

BALCONY LIGHTING POSITIONS RL 6100

BALCONY LIGHTING POSITIONS RL 3500

BALCONY LIGHTING POSITIONS RL 3000

FRONT ROW CENTRE SEAT SIGHTLINE POSITION

THRUST STAGE FRONT ROW CENTRE SEAT SIGHTLINE POSITION

RL -820

RL -720

RL -2800

CONTINUOUS STAGE TRAP LOW LOADING CAPACITY

PS + OP ACCESS TO TRAP

200A TO TAILS PS
 TEMPORARY POWER (ELECTRICIAN REQUIRED)

150 Ø ACCESS OPENING

CANBERRA THEATRE CENTRE

London Circuit, Civic Square, ACT, 2601

PIT RL	layers on	
	LX	ON
0	MX +	ON
-820	ON	AX ON
-2800		AX +

STAGE SECTION VIEW	
Original Drawing by HASSELL Pty Ltd	Adapted by Darren Hawkins
PLAYHOUSE	
STAGE = RL 0.0	Release 12/02/2016
Scale 1:50 A1	Vectorworks 2015