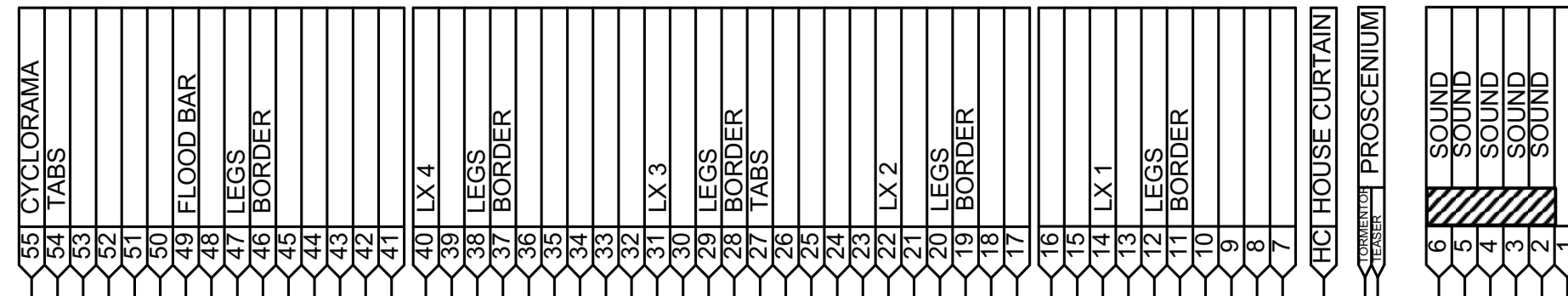


BATTEN LENGTH: Downstage 13.7 m
 Onstage 14.6 m
 Cyclorama 16.2 m
 Panorama 9.5 m
 MAX. CRADLE CAPACITY: 350 kg
 HEIGHT TO UNDERSIDE OF GRID: 17.0 m
 MAX. HEIGHT BATTENS FLY OUT: 16.7 m

BATTENS 50 x 75 mm RHS at 200 mm Centres (Lines 16/17 & 40/41 at 270 mm)



FLY RAIL - 49 Lines over stage, 6 Lines downstage of House Curtain, 3 Panorama Lines per side.

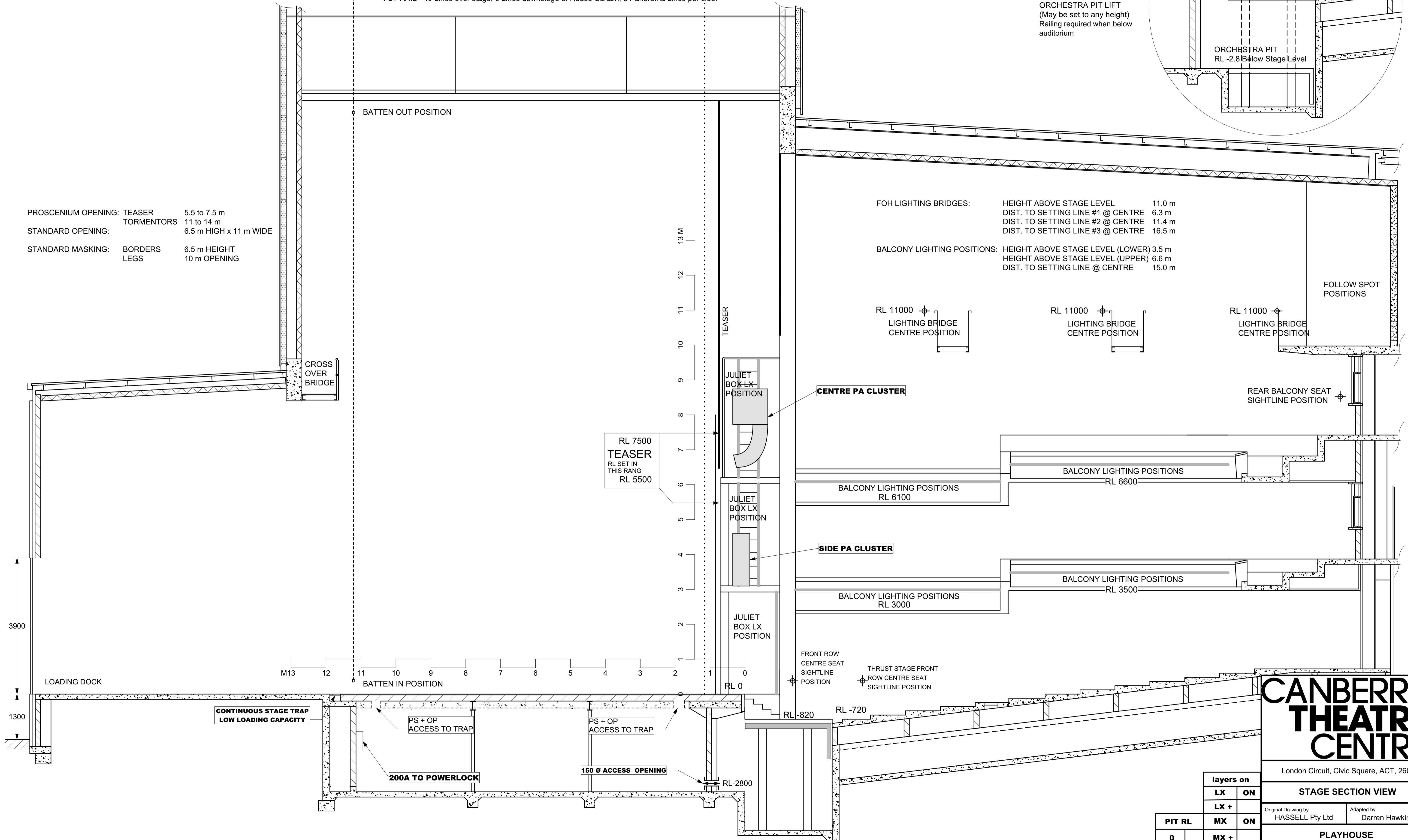
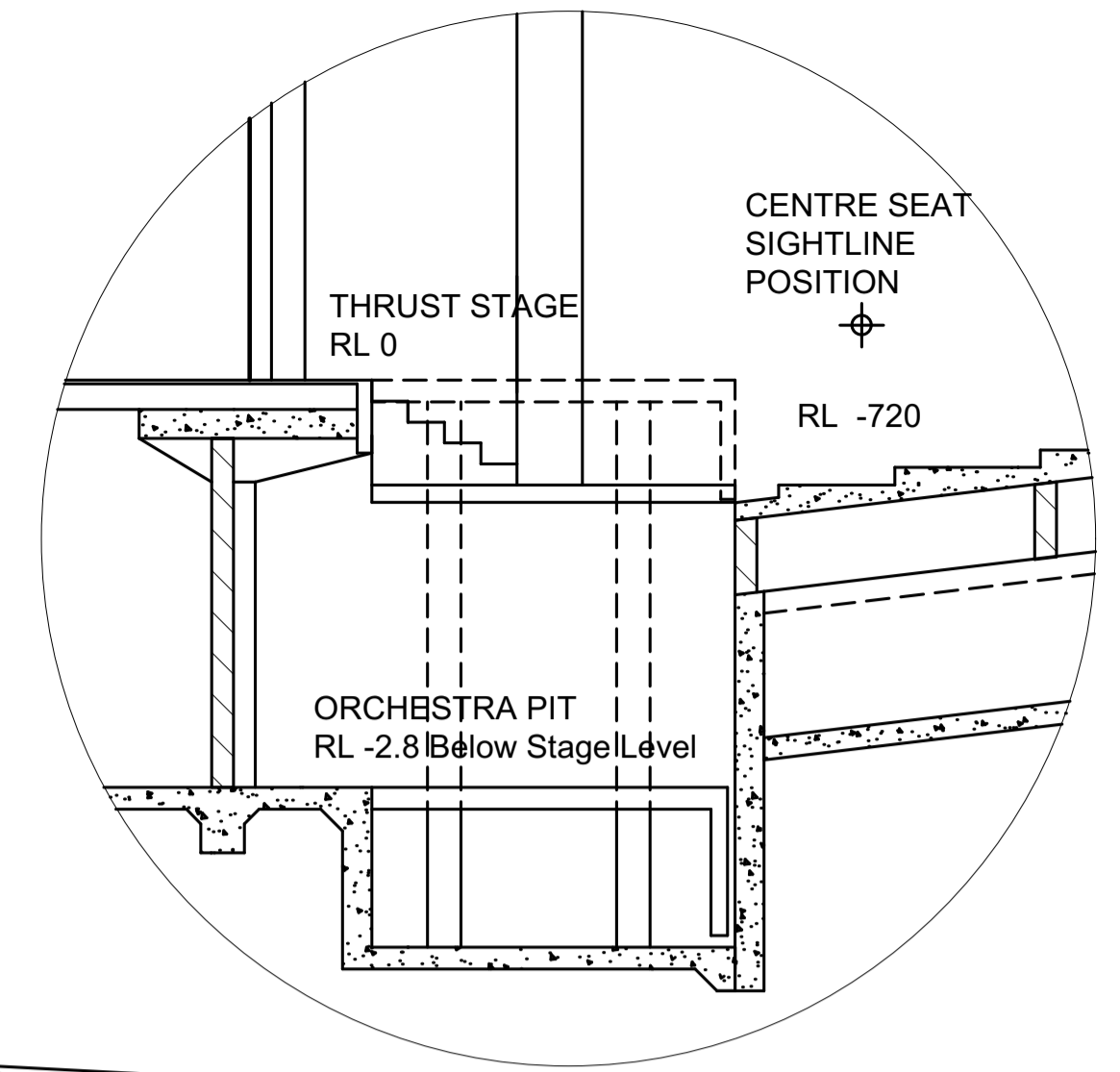
BATTEN OUT POSITION

PROSCENIUM OPENING: TEASER 5.5 to 7.5 m
 TORMENTORS 11 to 14 m
 STANDARD OPENING: 6.5 m HIGH x 11 m WIDE
 STANDARD MASKING: BORDERS 6.5 m HEIGHT
 LEGS 10 m OPENING

FOH LIGHTING BRIDGES: HEIGHT ABOVE STAGE LEVEL 11.0 m
 DIST. TO SETTING LINE #1 @ CENTRE 6.3 m
 DIST. TO SETTING LINE #2 @ CENTRE 11.4 m
 DIST. TO SETTING LINE #3 @ CENTRE 16.5 m

BALCONY LIGHTING POSITIONS: HEIGHT ABOVE STAGE LEVEL (LOWER) 3.5 m
 HEIGHT ABOVE STAGE LEVEL (UPPER) 6.6 m
 DIST. TO SETTING LINE @ CENTRE 15.0 m

ALTERNATIVE USES FOR ORCHESTRA PIT LIFT
 (May be set to any height)
 Railing required when below auditorium



3900
1300

RL 7500
TEASER
RL SET IN THIS RANG
RL 5500

CENTRE PA CLUSTER

SIDE PA CLUSTER

CANBERRA THEATRE CENTRE

London Circuit, Civic Square, ACT, 2601

layers on	
LX	ON
LX +	
PIT RL	MX ON
0	MX +
-820	ON AX ON
-2800	AX +

STAGE SECTION VIEW	
Original Drawing by HASSELL Pty Ltd	Adapted by Darren Hawkins
PLAYHOUSE	
STAGE = RL 0.0	Release 17/02/2020
Scale 1:50 A1	Vectorworks 2017